



NXC-1402M

Article-No.: 93163

1/3" Network Camera, Colour,
1600x1200, H.264, MJPEG,
PoE, 12DC/24VAC, ONVIF

Mainfeatures

1/3" Progressive scan CMOS sensor
ONVIF conformance
Video flip / Digital PTZ / Motion detection
Simultaneous H.264 and MJPEG Video Streaming
Two-way audio streaming
API/SDK support

Resolution max.: 1600(H) x 1200(V)
High and low speed shutter control (MES/ESC/DSS)
ROI (Region of interest) for display, streaming
Supports up to 25ips. (at 1600x1200/H.264)
Alarm in/outputs and RS-485 interface
16 channel video client software

Specifications

Series	eneo NX
Resolution standard	HD 720p
System	colour
Video standard	CCIR/PAL
Sensor size	1/3"
Imager	CMOS
Imager	Progressive scan
Sensitivity (at 50% video signal)	1,3 Lux
Sensitivity (at 50% video signal)	at F1.2
Automatic gain control (AGC)	ON/OFF switchable
Manual electronic shutter (MES)	1/2sec. ~ 1/1000sec.
Digital Noise Reduction (DNR)	no
Low speed shutter	yes
White balance	AWB, Indoor / Outdoor switchable
Wide Dynamic Range (WDR)	no
Backlight compensation	no





Specifications (continued)

Flickerless function	yes
IR cut filter	standard
Mirror function	horizontal, vertical
Privacy zones masking	no
Activity detection	yes
Motion detector	8 zones / H.264 Stream
Text display	supplied
Menu languages	English, Russian
OSD function control	H/V flip (mirror picture), freeze, shutter control, brightness, sharpness, exposure, exposure, white balance, motion detection, text, digital cropping
External adjustments	flange focus
External connections	Video (BNC), Audio, Network (RJ-45), Alarm Input/Output, Factory reset (button), DC iris (4 pin), Power Input, RS-485
Video outputs	composite (CVBS)
Video outputs	1Vp-p (C)VBS, 75ohms, BNC, Control output
Audio support	yes
Audio	1/1 Line input and output (Input selectable with microphone pre-amplifier)
Alarm inputs	1
Alarm inputs	2x TTL
Alarm outputs	1
Alarm handling	file upload via FTP. Notification via email, HTTP and TCP. External output activation
Internal storage	no
Compression standard	H.264, MJPEG
Resolution max.	1600x1200
Resolution	1600x1200 (4:3), 1280x1024 (5:4), 1152x864 (4:3), 1280x720 (16:9), 720x576 (4:3), 720x480 (4:3), 640x480 (4:3), 320x240 (4:3)
Image transmission rate max.	25 B./Sek.
Frame rate	12.5 fps max. at 1600x1200 px.
Stream types	H.264, MJPEG multiple
Image display	via Web Browser or Viewer Software
Ethernet interface	10Base-T, 100Base-TX
Web browser	MS Internet Explorer vers. 7.0 or higher, Google Chrome (Java), Mozilla Firefox (Java), Safari (Java)
Network protocols	IPv4, SMTP, DDNS, HTTP, HTTPS, FTP, DHCP, DSCP, UPnP, RTSP, RTP, TCP, UDP, NTP
Remote configuration	16-ch. remote client S/W (Live, Recording, Playback, Archiving, e-Map, Event search)
Configuration	via Smart Setup Software
Lens mount	CS mount
Digital zoom	2x - 10x
Iris control	manual, DC
Pre-alarm recording	up to 30sec.
Post-alarm recording	up to 30sec.
e-PTZ support	yes
Search function	alarm/event/time searching

Specifications (continued)

Serial interfaces	RS-485
Serial interfaces	Protocols: eneo Fastrax IIE and Pelco D&P
Access	10 users simultaneous support
Firmware update	via remote software
Password protection	yes
Management Software Support	Nimra, Numina, Aimetis - Symphony, Zelaris
SDK	available, SDK incl. HTTP-API and ActiveX
ONVIF	core specifications 1.01
Camera mount	1/4" - 20 UNC thread on top and bottom
Power consumption	8W
Temperature range (operation)	-10°C ~ +50°C
Colour	Pantone Cool Gray 1C
Supply voltage	12VDC, 24VAC, PoE (IEEE-802.3af)
Power over Ethernet	yes
Protection rating	n/a
Certificates	CE
Parts supplied	Nimra; video management software
Weight	380g
Dimensions (HxWxD)	see drawing

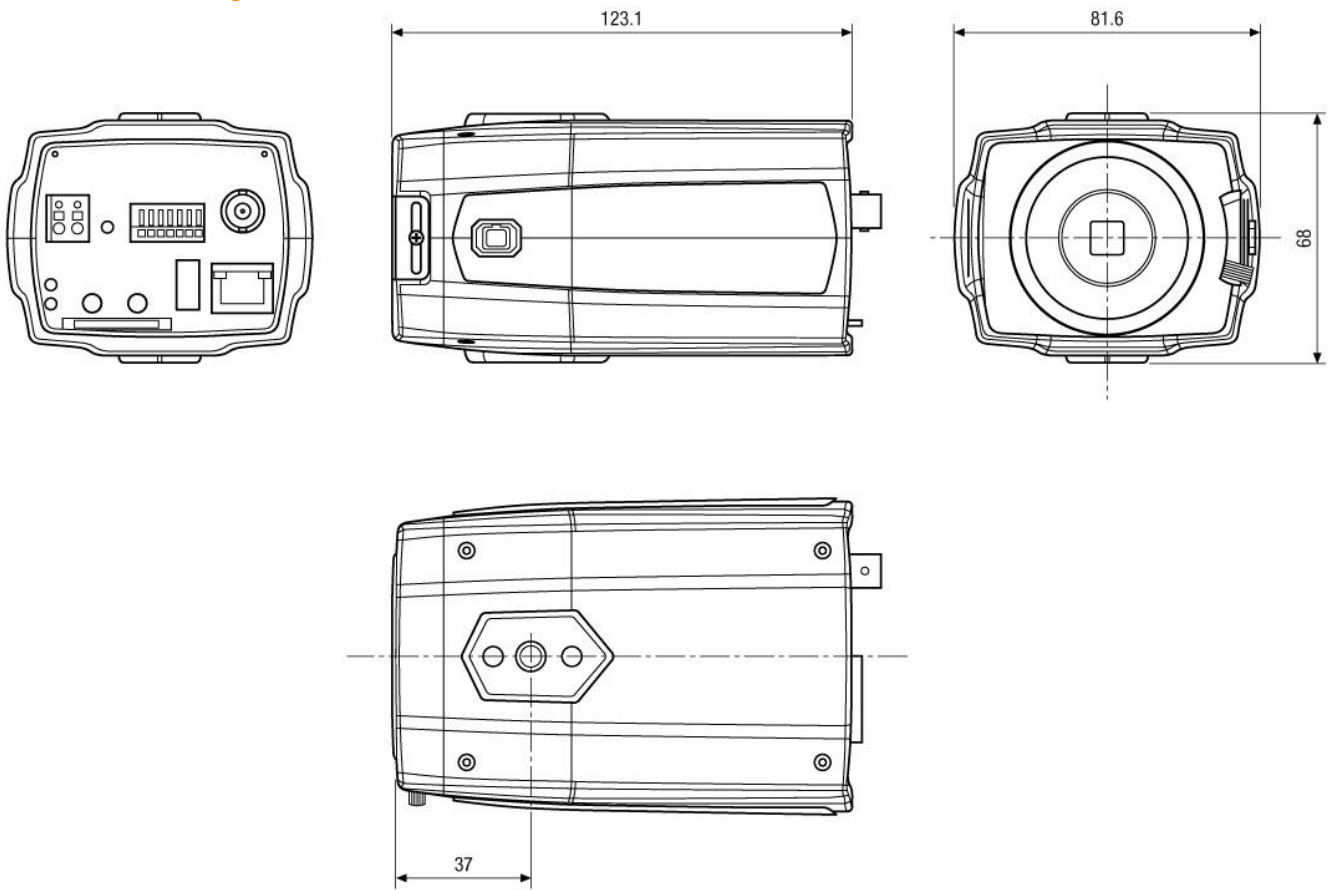
Optional Accessories

Image	Artikel-Nr. / Typ	Description
	WD-23	Wall Mount Bracket with Ball Joint, 1/4" Camera Fixing Screw, Pantone 877
	F0Z2.8DC-NFSHD	F1.2/2,8-8mm Lens, Varifocal, No Focus Shift, Full HD 1080p, 1/3" CS Mount
	VT-PS12DC-9	Plug-in Power Supply Unit 100-240VAC 12VDC (1.0Amp), Regulated, w. open Ends
	VHM/ECLIP-W	Weatherproof Housing (330mm), Heater, Thermostat, Blower, RAL9016/7035, 12VDC

Optional Accessories (continued)

Image	Artikel-Nr. / Typ	Description
	ZELARIS ELEMENTS	

Technical Drawing



Maße/Dimensions: mm



Your partner for eneo products:

