



WD-22

Article-No.: 70769

Wall Mount Bracket with Ball
Joint, 1/4" Camera Fixing
Screw, Beige Grey

Main features

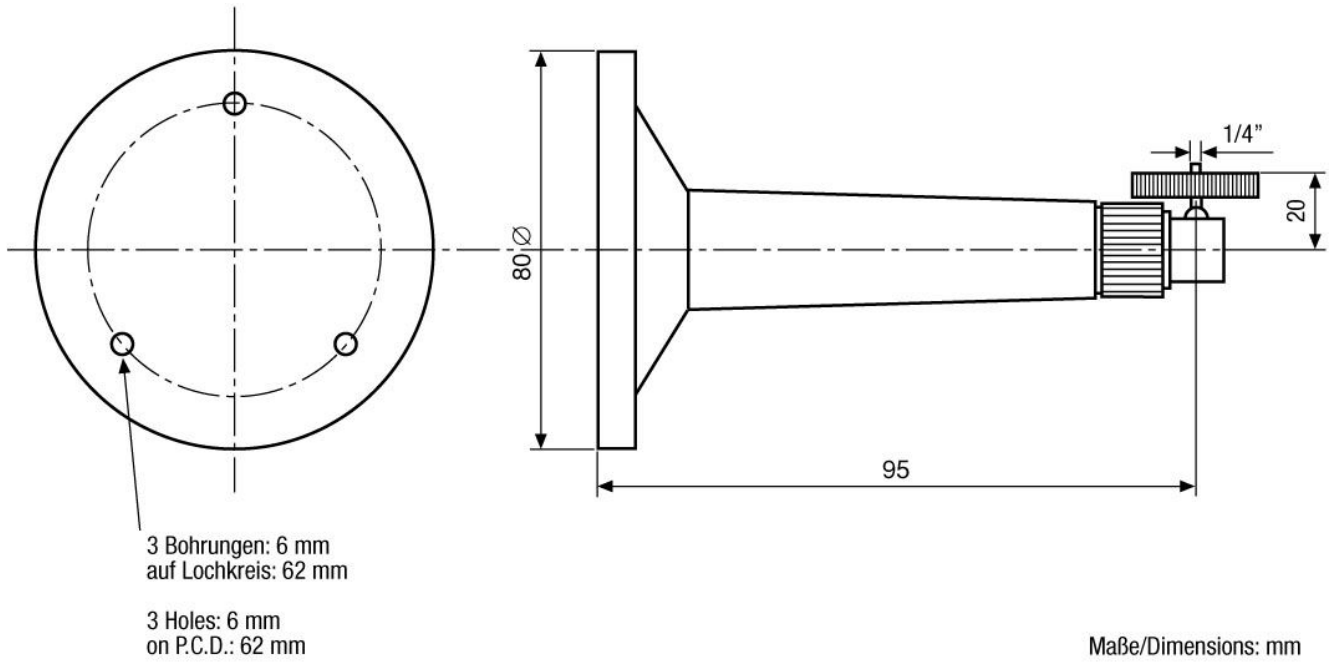
For wall and ceiling mounting
Adjustable ball-point head

Rugged plastic construction
Ready for installation

Specifications

Mounting distance from fixing point	95 (Wall) / 120 (Ceiling) mm
Load capacity	500g
Camera mount	1/4" - 20 UNC thread
Material	Plastic (ABS)
Colour	Beige
Weight	40g

Technical Drawing



Your partner for eneo products:

