



NE-132/AC24V

Article-No.: 70527

Power Supply Unit 230VAC/24VAC
(1.0A)

Mainfeatures

Power supply for ED(M)C dome camera series
Mains connection: 1.8m with 2 pin connector
Secondary: 2 pole cable with open ends

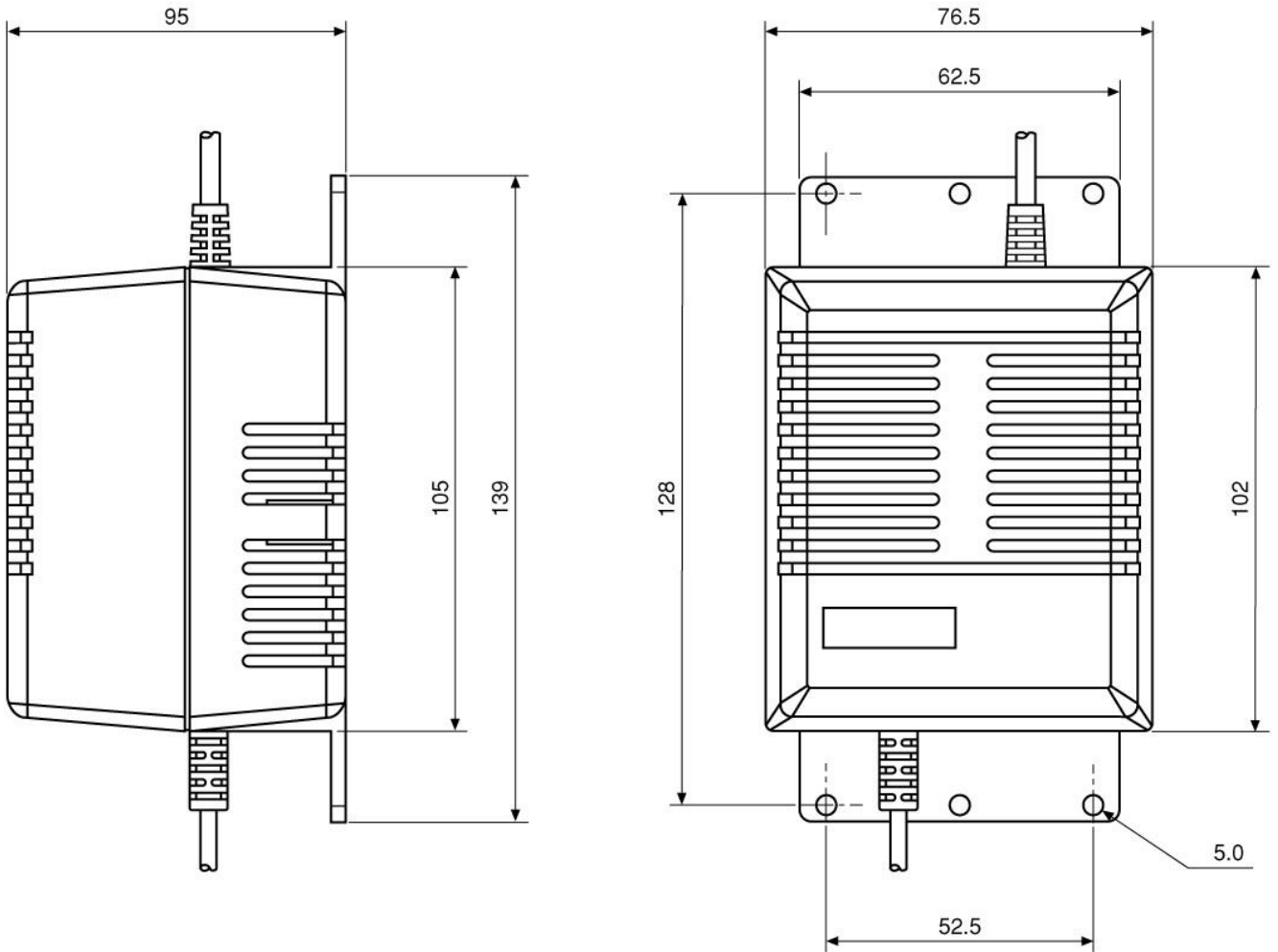
Mains input: 230VAC/50Hz
Voltage output: 24VAC/1.0A +/-5%
For indoor use only

Specifications

Certificates

CE

Technical Drawing



Maße/Dimensions: mm



Your partner for eneo products:

